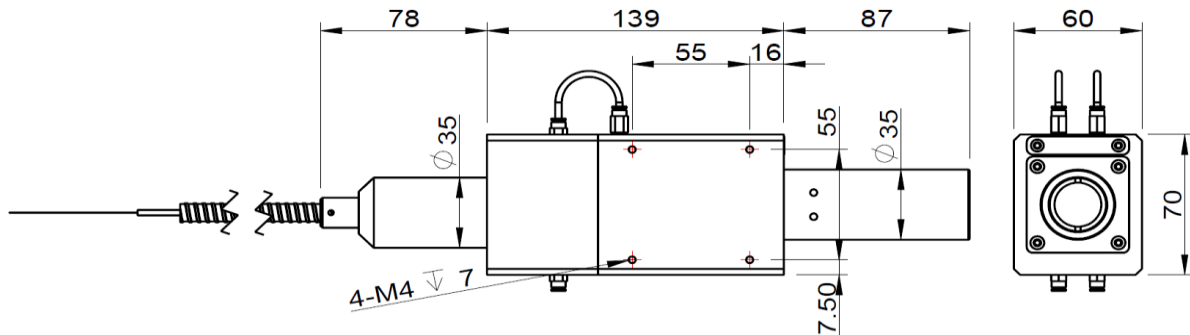


Fiber to Free Space 750W 1064nm Isolator (FSHI Series)

Specifications

Parameter	Unit	Value
Center Wavelength (λ_c)	nm	1064
Max. Insertion Loss, 23 °C, λ_c @1064 nm	dB	0.4
Max. Insertion Loss, 23 °C @ 650 nm	dB	7
Typ. Peak Isolation	dB	35
Min. Isolation at 30 °C	dB	28
Min. Isolation at all temperature	dB	20
Min. Return Loss	dB	50
Nominal Output Beam Diameter ($1/e^2$)	mm	10 ± 0.5 or Specify
Min. Beam Circularity	%	90
Max. M^2 Degradation	%	10
Max. Average Optical Power	W	750
Max. Peak Power for ns pulse	kW	50
Reverse Power Handling	W	5W Continuous
Reverse Power Handling	W	20W (3 min max)
Fiber Type (input port)		LMA-GDF-30/250-M fiber or Specify
Operating Temperature	°C	10 to +50
Storage Temperature	°C	0 to +60

Package Dimensions



Ordering Information

FSHI-①①-②-③-④-⑤-⑥-⑦

①①: Wavelength	06 - 1064 nm, S - Specify
②: Handling Power	750 - 750 W, S - Specify
③: Beam Diameter	10 - 10 ± 0.5 mm, S - Specify
④: Jacket Type	10 - 10 mm Armoured cable, S - Specify
⑤: Jacket Length	2 - 2.0 m, 3 - 3.0 m, 4 - 4.0 m, 5 - 5.0 m, S - Specify
⑥: Fiber Length	3 - 3.0 m, 4 - 4.0 m, 5 - 5.0 m, 6 - 6.0 m, S - Specify
⑦: Fiber Type	30 - LMA-GDF-30/250-M, S - Specify