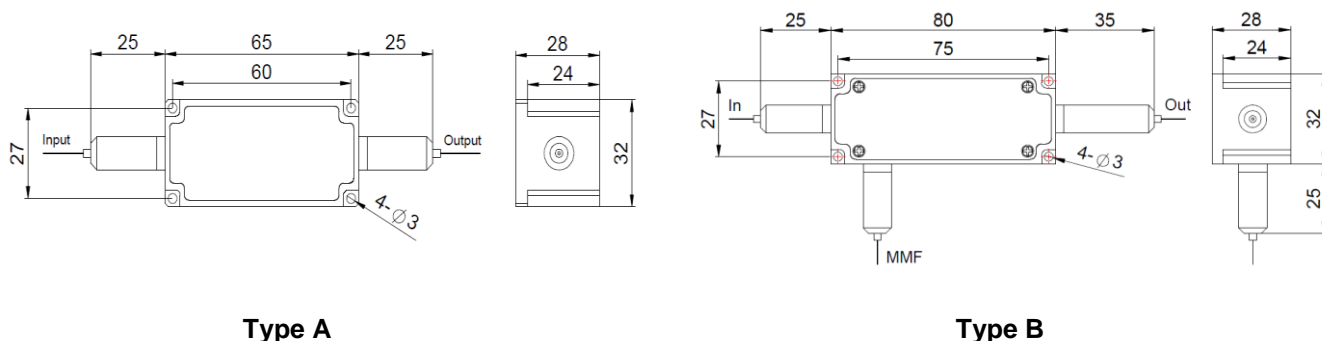


## High Power Polarization Insensitive Isolator (HI Series)

### Specifications

Parameter	Unit	Type A		Type B
Center Wavelength ( $\lambda_c$ )	nm	1030	1050	1064
Typ. Peak Isolation	dB	35	30	35
Min. Isolation, $\lambda_c$ nm, 23 °C, all polarization states	dB	30	25	30
Typ. Insertion Loss, 23 °C	dB	0.6		
Max. Insertion Loss, 23 °C	dB	0.8		
Max. Insertion Loss, 23 °C (Output to MMF)	dB	None	0.8	
Min. Return Loss (Input/Output)	dB	50/50		
Max. Polarization Dependent Loss	dB	0.2		
Max. Average Optical Power	W	20		
Max. Peak Power for ns Pulse	kW	10		
Max. Tensile Load	N	5		
Fiber Type		Specified by ordering info		
MMF fiber type		None	MMF-105/125 (NA0.22)	
Operating Temperature	°C	10 to +50		
Storage Temperature	°C	0 to +60		

### Package Dimensions



Type A

Type B

### Ordering Information

HI-①-②-③-④-⑤-⑥-⑦-⑧

①: Wavelength	03 - 1030 nm, 05 - 1050 nm, 06 - 1064 nm, SS - Specify
②: Package Type	A - Type A, B - Type B
③: Handling Power	0.4 - 0.4 W, 10 - 10 W, 20 - 20 W, SS - Specify
④: Connector Type	N - None
⑤: Fiber Jacket	B - Bare fiber, L - 900 $\mu$ m loose tube, S - Specify
⑥: Fiber Length	1 - 1.0 m, S - Specify
⑦: Fiber Type	1 - HI 1060 fiber, 2 - Nufern FUD-3584 fiber, 3 - Nufern LMA-GDF-10/125-M, 4 - Nufern LMA-GDF-20/130-M, 5 - Nufern LMA-GDF-30/250-M, S - Specify
⑧: Power Type	P - Pulse application, C - Continuous wave