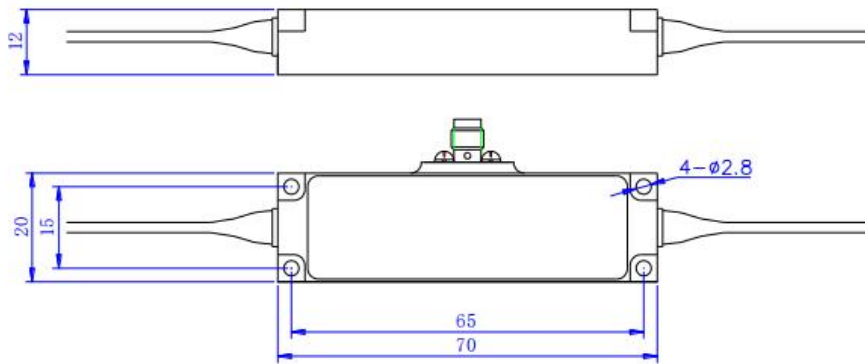


### 1550 nm fiber AOM series

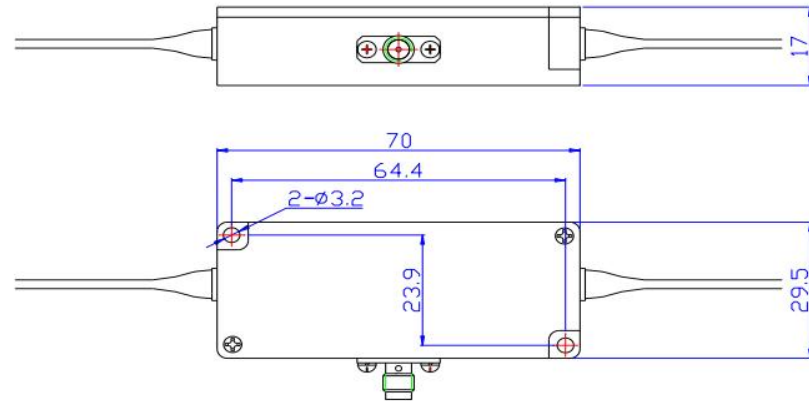
<b>Product Overview:</b>	Acoustic optic modulator is a kind of product that uses the principle of acousto-optic interaction to modulate the intensity and shift the frequency of laser. The wavelength range is from visible light to infrared region. It adopts all metal structure design, compact and solid sealed packaging structure, and innovative packaging technology, which ensure high reliability and temperature stability.
<b>Performance characteristics:</b>	<ul style="list-style-type: none"> <li>●Short response time</li> <li>●Low insertion loss</li> <li>●High extinction ratio</li> <li>●High temperature stability and reliability</li> <li>●Small size</li> </ul>
<b>Application area:</b>	<ul style="list-style-type: none"> <li>●Q-switched fiber laser</li> <li>●Laser Doppler coherent application</li> <li>●Ultra fast laser frequency reduction menu</li> <li>●Linear frequency modulation</li> </ul>
<b>Ordering Information:</b>	(This indicator is a typical optical wavelength indicator, and other wavelengths and frequencies can be selected)

Parameter	Unit	Single mode fiber is represented by "1", and single mode polarization maintaining fiber is represented by "1P".						
		SGTF40-1550-1 SGTF40-1550-1P	SGTF80-1550-1 SGTF80-1550-1P	SGTF100-1550-1 SGTF100-1550-1P	SGTF150-1550-1 SGTF150-1550-1P	SGTF200-1550-1 SGTF200-1550-1P	SGTF300-1550-1 SGTF300-1550-1P	SGTF400-1550-1P
Insertion loss	dB	<2	<2.5	<3	<3.5	<5	<6	<7
Rise time	ns	<55	< 50	<45	< 20	<12	<10	<7
Shift frequency	MHz	40	80	100	150	200	300	400
3dB frequency shift bandwidth	MHz	-	>15	>20	>30	>60	>60	>80
Wavelength	nm	1530-1570						
Optical power	W	≤0.5(Customizable up to 5w)						
On - off extinction ratio	dB	≥50						
Polarization extinction ratio (PM device)	dB	≥20						

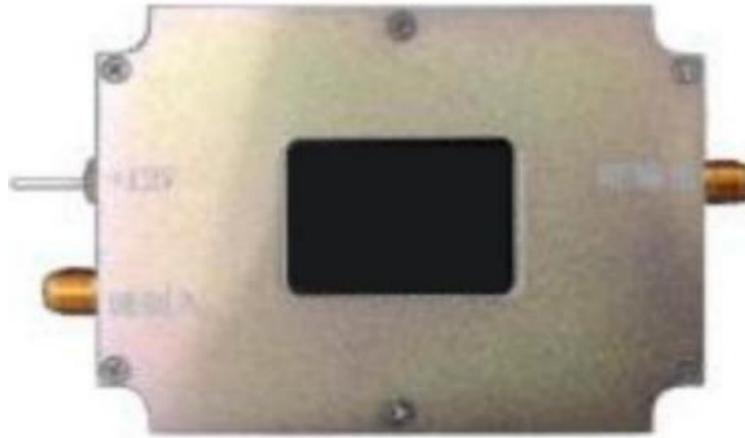
Polarization dependent loss (SM device)	dB	<0.5
Driving power	W	<2
Fiber type	-	PM1550(PM)、SMF28e(SM) or others
Optical fiber connector	-	FC/APC
RF input joint	-	SMA
Fiber length	m	>1
Input impedance	$\Omega$	50
VSWR	-	<1.3:1
Package	-	FA/FH



Package FH



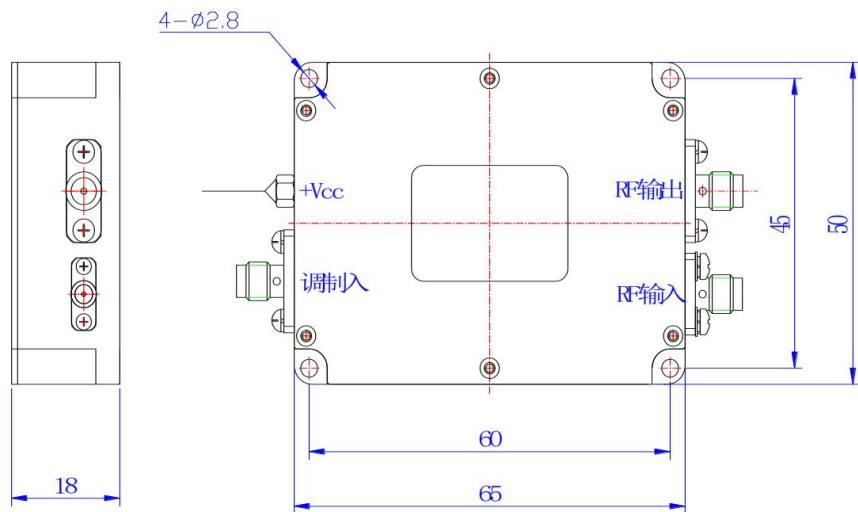
Package FA



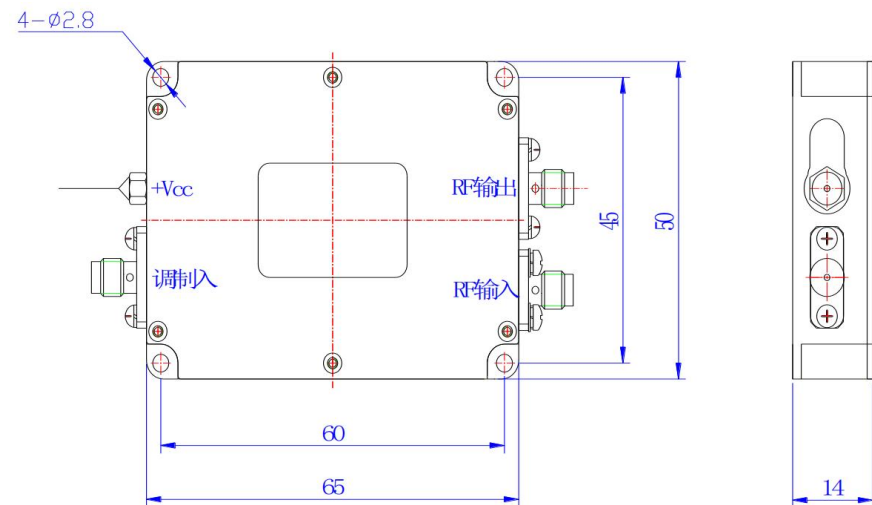
Low-power N-type acousto-optic driver

<p><b>Product Overview:</b></p>	<p>Product overview: acousto-optic driver is a RF driver that provides supporting functions for acousto-optic device products. It is applicable to acousto-optic modulator and frequency shifter products with driving power less than 3W. The RF signal generated by the driver is used to generate ultrasonic waves in the crystal of the acousto-optic device. The frequency and intensity of the RF signal applied will determine the degree to which the beam is modulated, deflected or tuned. The drive has good heat dissipation, and the use of matched drive will bring better temperature stability.</p>							
<p><b>Performance characteristics:</b></p>	<p>●Small size    ●Fast response time    ●Low power consumption    ●High temperature stability and reliability</p>							
<p>Supporting drive</p>	<p>-</p>	<p>Model (SGXXXX-33-N-ab) "X" - use "Y" for frequency shift function, and "T" for modulation function; "XXX" - operating frequency "33" refers to RF output power; "N" indicates the package type; "A" - use "1" for power supply voltage 24V, "2" for power supply voltage 12V; "b" - use "D" for digital TTL modulation, and "A" for analog modulation.</p>						
		SGT40-33-N-1D	SGT80-33-N-1D	SGT100-33-N-1D	SGT150-33-N-1D	SGT200-33-N-1D	SGT300-33-N-1D	SGT400-33-N-1D
		SGT40-33-N-1A1	SGT80-33-N-1A1	SGT100-33-N-1A1	SGT150-33-N-1A1	SGT200-33-N-1A1	SGT300-33-N-1A1	SGT400-33-N-1A1
		SGT40-33-N-1A5	SGT80-33-N-1A5	SGT100-33-N-1A5	SGT150-33-N-1A5	SGT200-33-N-1A5	SGT300-33-N-1A5	SGT400-33-N-1A5
<p>Specifications of modulation input interface</p>								
<p>Modulated signal input</p>	<p>-</p>	<p>Digital modulation (high level 3.3-5V; low level 0-0.2V@1k Ω)            Analog modulation (A1: 0-1V@50 Ω)            Analog modulation (A5: 0-5V@1k Ω)</p>						
<p>Modulated signal input impedance</p>	<p>Ω</p>	<p>-</p>						
<p>Interface</p>	<p>-</p>	<p>SMA</p>						

RF output interface specification								
Output signal frequency	MHz	40	80	100	150	200	300	400
Frequency stability	ppm	20 (1 Special)						
Output signal power	W	<2						
Rise and fall time	ns	<25	<25	<25	<20	<10	<8	<7
Switching ratio	dB	≥60						
Harmonic suppression ratio	dBc	>25						
Signal output standing wave ratio	-	≤1.3						
Interface	-	SMA						
Complete machine specification								
Maximum power consumption	W	10						
Working voltage	Vdc	24±1V (Optional 12±0.5)						
Power interface		Through core capacitance (core wire is connected to positive, solder lug is connected to negative)						
Package	-	N/N2						



Package N



Package N2